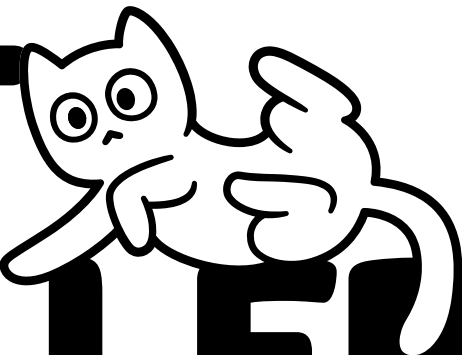


CAT ROLLER

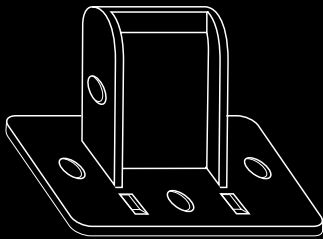


INSTALLATION GUIDE

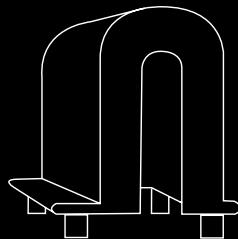
COMPONENTS



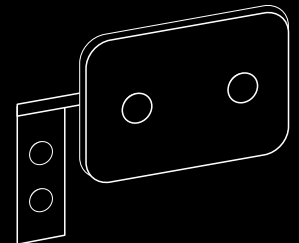
Cat Roller



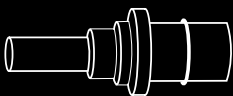
Plastic Base Bracket



Plastic Bracket Cover



Steel Bracket
(sold separately)



**Plastic
Bracket Pin**



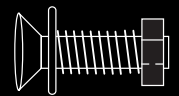
**Plastic
Bracket Ball**



**Timber
Screw**



**Metal
Screw**



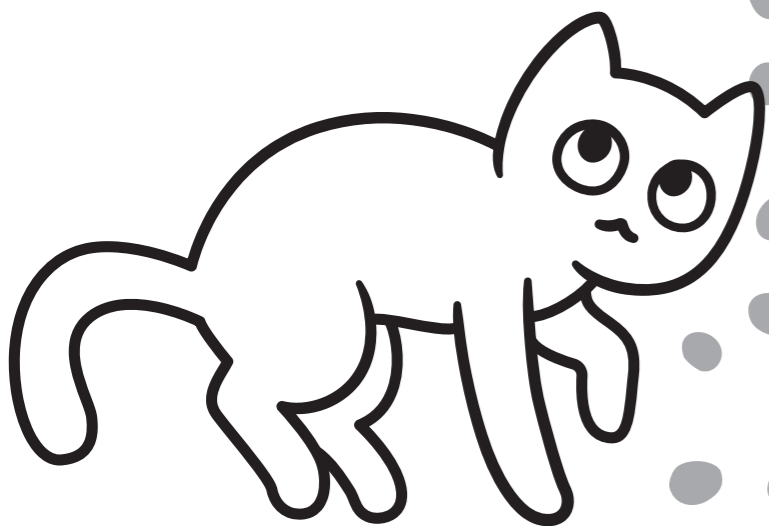
Nut & Bolt
(included with
Steel Bracket)

CONTENTS

- Single Pack = 2 Plastic Brackets & Covers, 1 Roller & Timber & Metal Screws.
- 5 Pack = 6 Plastic Brackets & Covers, 5 Rollers & Timber & Metal Screws.
- Steel Bracket (sold separately) = 1 Bracket, 2 Nut & Bolts.
- Additional 2 pack Plastic Brackets (sold separately).
- Masonry fixings (sold separately).

SAFETY INSTRUCTIONS

- Cat Roller contains small parts which may be a choking hazard. Keep out of the reach of children.
- Do not place excessive weight on the Cat Roller or allow persons to hang from the device once installed.
- Do not permit children under the age of 16 to participate in installation of the Cat Roller. The tools required for installation can cause serious injury or death.
- Installation requires the use of power tools. Please ensure the user manual associated with these tools is read, and suitable personal protection is used, for instance ear protection and safety glasses.
- Ensure correct PPE is worn when using any tools, i.e. gloves, eye protection, ear protection.
- Ensure cutting tools are properly maintained so that they are sharp and clean. Sharp cutting edges will make the tools easier to control.
- Ensure the rollers are secure and supported to a stable platform when cutting. Holding the roller with your hand or against the body leaves it unstable and may lead to a loss of control. The use of clamps or other methods to secure the product during cutting is recommended.
- Ensure the cap is secured to the plastic bracket by clipping it in place. This helps prevent the system from coming apart when a cat places weight on the rollers.
- Use appropriate safety equipment such as ladders or step ladders, not chairs or stools, ensure safety equipment is used for its intended purpose.
- Ensure you use the appropriate screws for the surface the brackets are being connected to e.g. timber screws on timber fence, metal screws on metal fence.
- Best for the Cat Roller system to be installed by two or more people.
- Use caution when handling the rollers as the ends can be sharp.



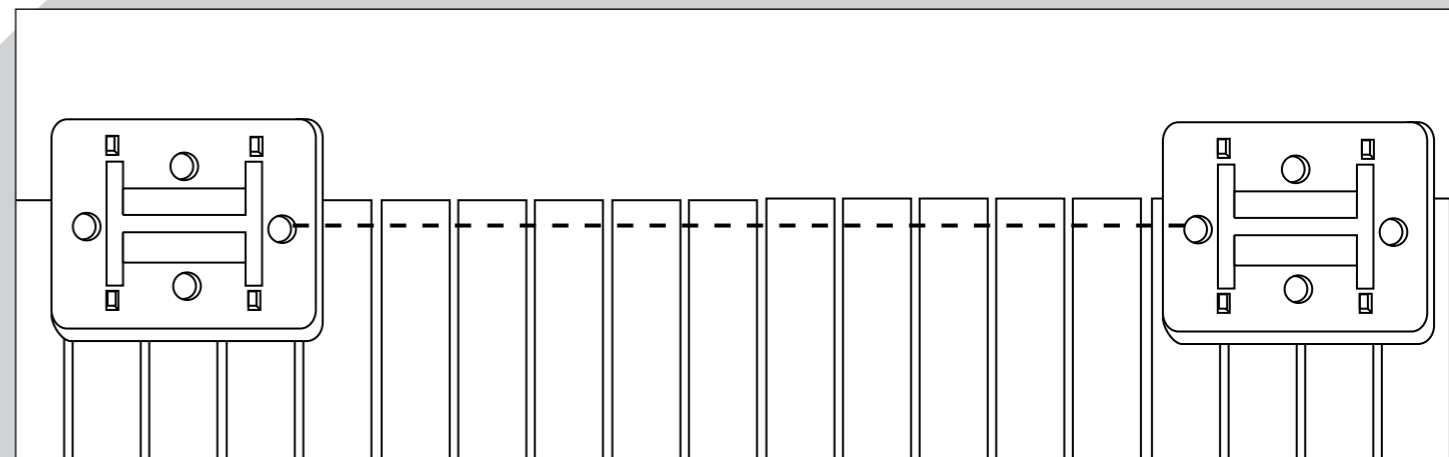
INSTRUCTION PROCESS

HINTS AND TIPS FOR MEASURING YOUR CAT ROLLER SYSTEM

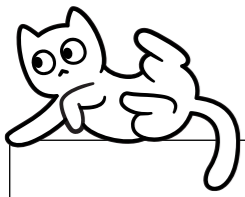
- Remember each Cat Roller is 2 metres in length, but can easily be cut to the sizes required.
- Measure up the total length that will need the Cat Roller system.
- Determine how much of that length are gates or small spaces less than 2 metres where cutting of the Cat Roller to size will be required, we recommended that each gate has its own individual roller and bracket system.
- Determine if you need to mount any of your rollers using steel vertical mounting brackets, you can purchase the Steel Brackets separately to complete that part of the installation.
- Measure up the spaces where less than a 2-metre Cat Roller is required and determine how many rollers need to be cut to different lengths.
- Determine how many corners are in the area to assist in determining how many extra Plastic Brackets are required.
- Determine if there are any areas where walls, fences or other objects are blocking from using the same bracket to connect two rollers.
- Once you have worked out the area your Cat Rollers will be going and how many rollers and brackets that you need lay out your rollers and brackets in front of the fences, gates, and walls before construction to make sure you have all the necessary pieces.

HOW TO CUT YOUR ROLLER TO SIZE:

- In the space that is left to fit a roller where it is less than 2 metres, or for example over gates, ensure you have mounted the Plastic or Steel Brackets into the desired positions without fitting the roller.
- Once you are happy with the locations of the brackets, measure the distance between the 2 brackets from roller pin hole to roller pin hole.

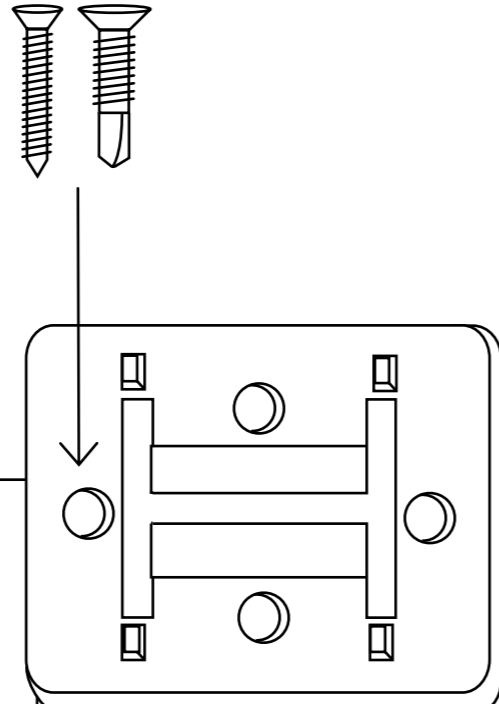


- Once you have determined this distance, subtract 16mm from this length - this is the new length you will cut the roller to - for example, if this distance is 1,328mm, the length you cut the roller will be 1,312mm.
- Mark this distance in each fin of the roller from inside to outside so each fin will be the correct length and a square cut.
- You can use a mitre box and a steel hacksaw, or if you are confident, an electric angle grinder, using the correct PPE. Clean up the edges with a file to remove all sharp edges and burrs. Double check your measurement.
- Remove one of the brackets from the fence and complete the install as per the installation instructions.



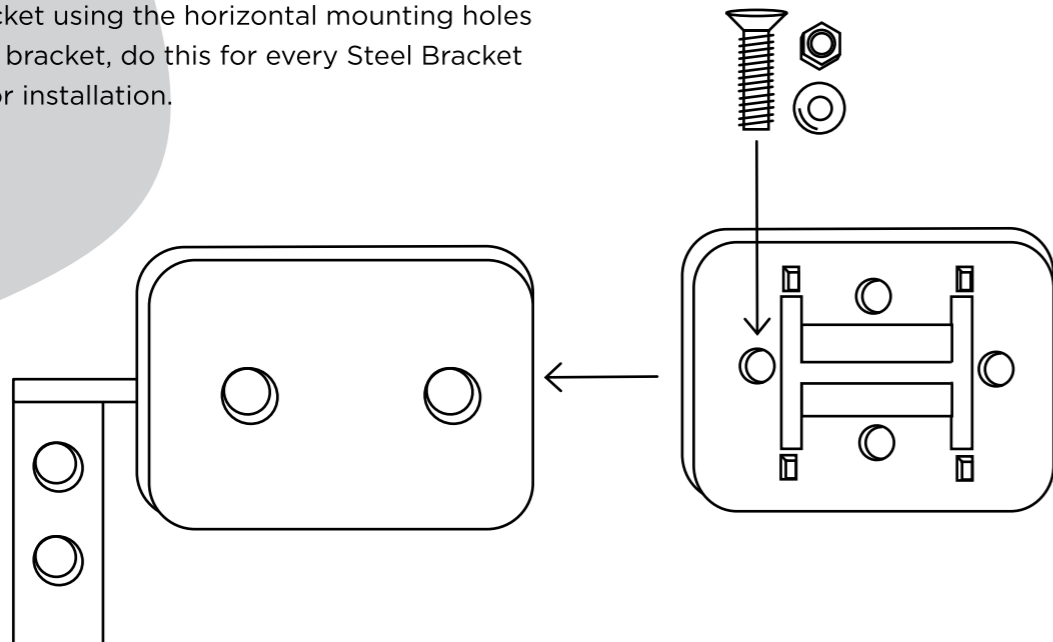
STEP 1 (PLASTIC BRACKET BASE):

Place the first Plastic Bracket Base on the fence panel, and screw in three screws either the (timber or metal) into the base, depending on the type of your fence. You can use vertical or horizontal mounting holes for the first bracket

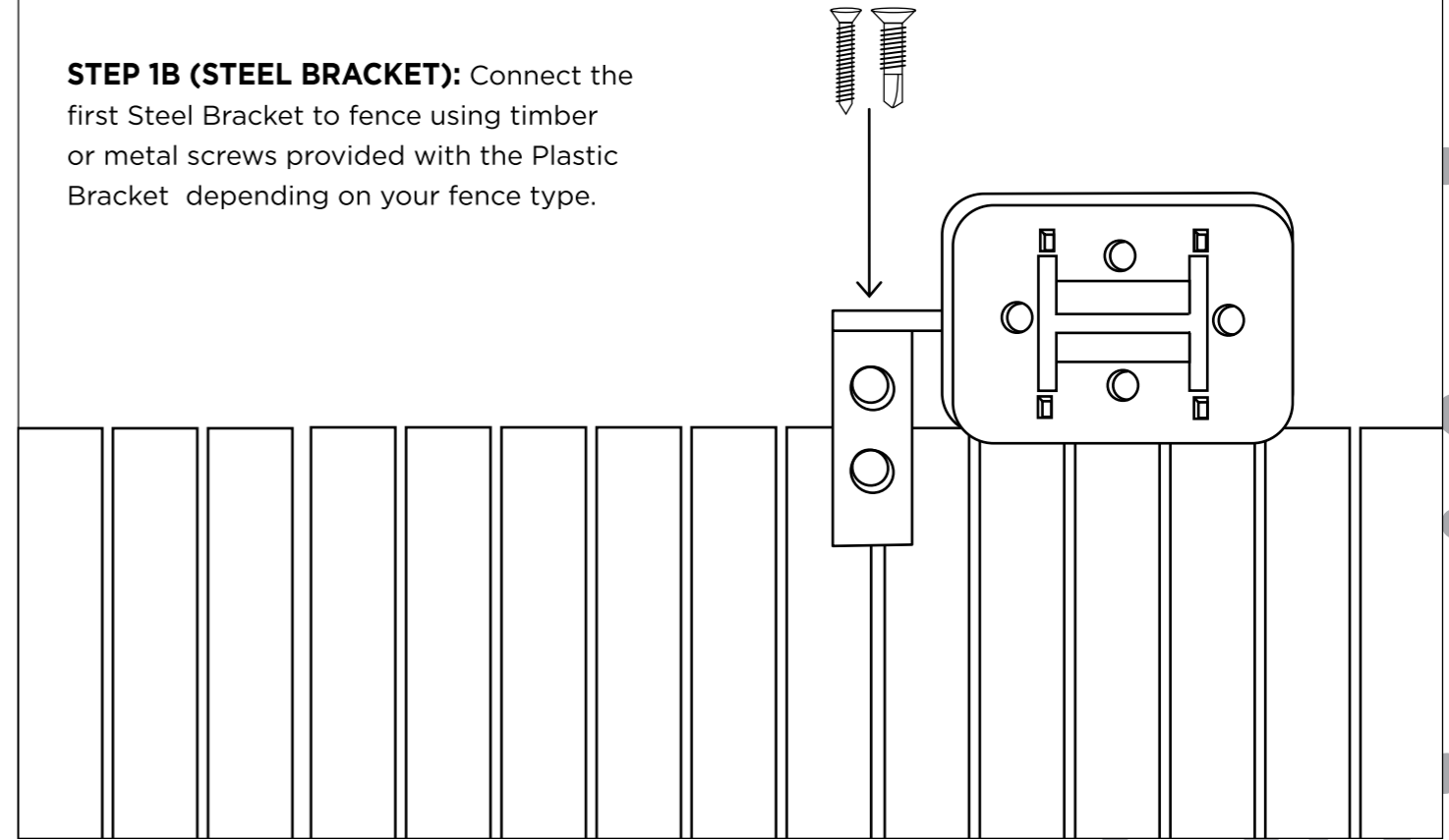


IF YOU ARE INSTALLING ROLLERS WITH STEEL VERTICAL MOUNT BRACKETS.

STEP 1A (STEEL BRACKET): Connect Plastic Bracket Base to Steel Bracket using Nut & Bolts provided with the Steel Bracket using the horizontal mounting holes on the plastic bracket, do this for every Steel Bracket you require for installation.

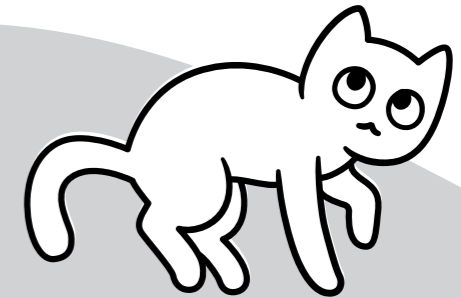


STEP 1B (STEEL BRACKET): Connect the first Steel Bracket to fence using timber or metal screws provided with the Plastic Bracket depending on your fence type.

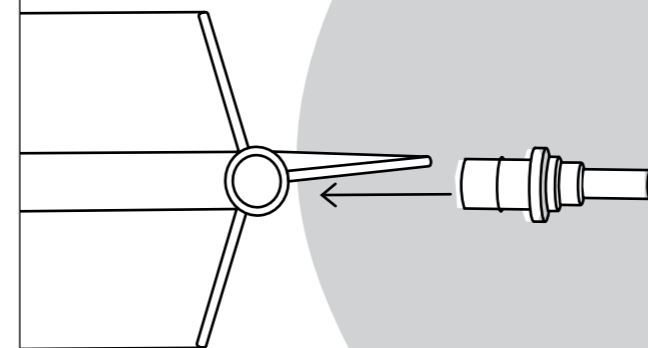


Note: Multiple ways to connect Steel Bracket to fence, depending on circumstances, masonry fixings not included.

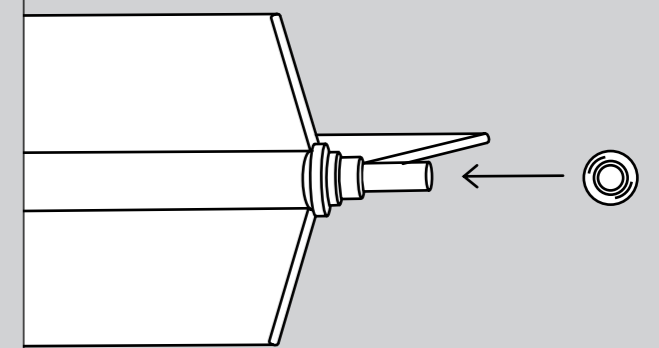
CONTINUE FROM STEP 2 FOR BOTH BRACKETS.



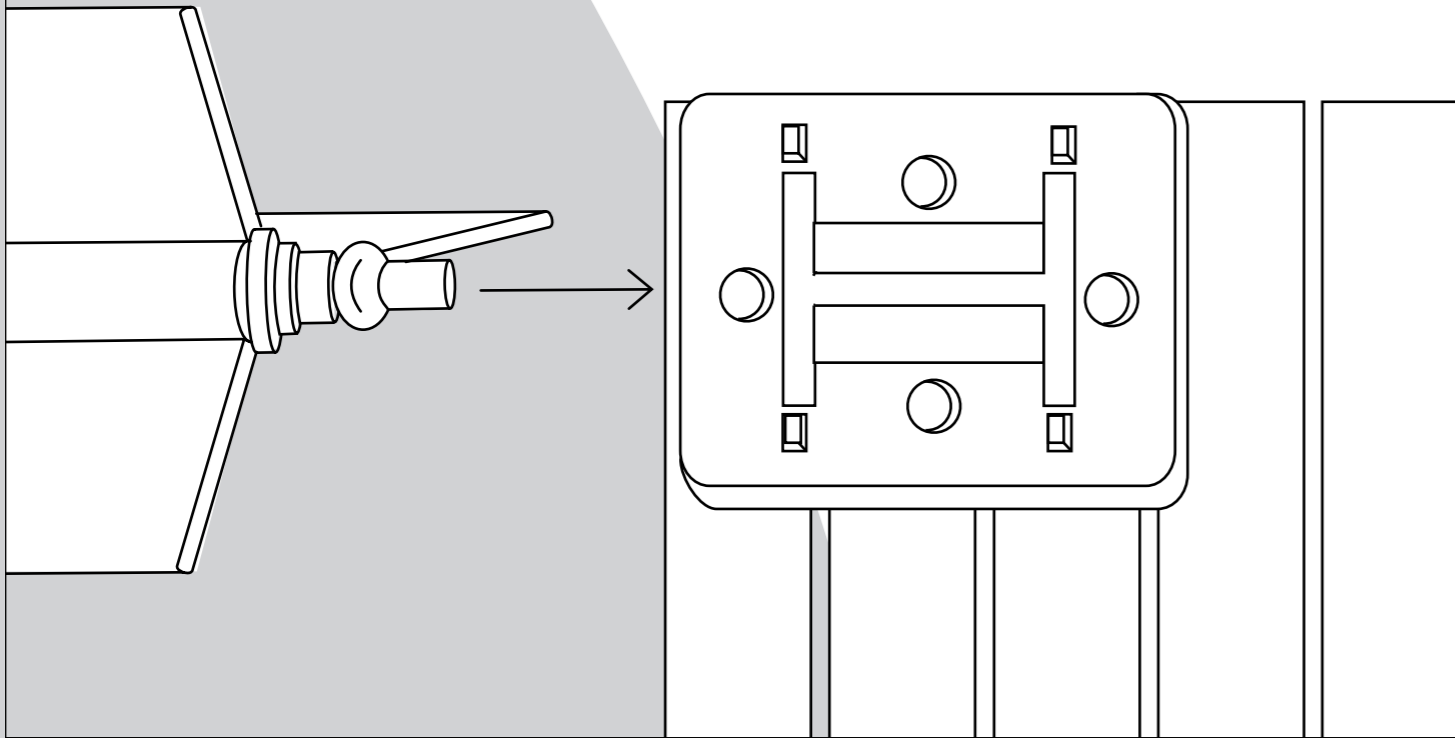
STEP 2: Place Bracket Pins at either end of the roller by pushing the thick end into the roller.



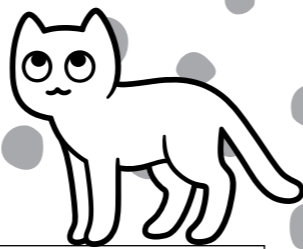
STEP 3: At one end place the Bracket Ball on the thin end of the pin.



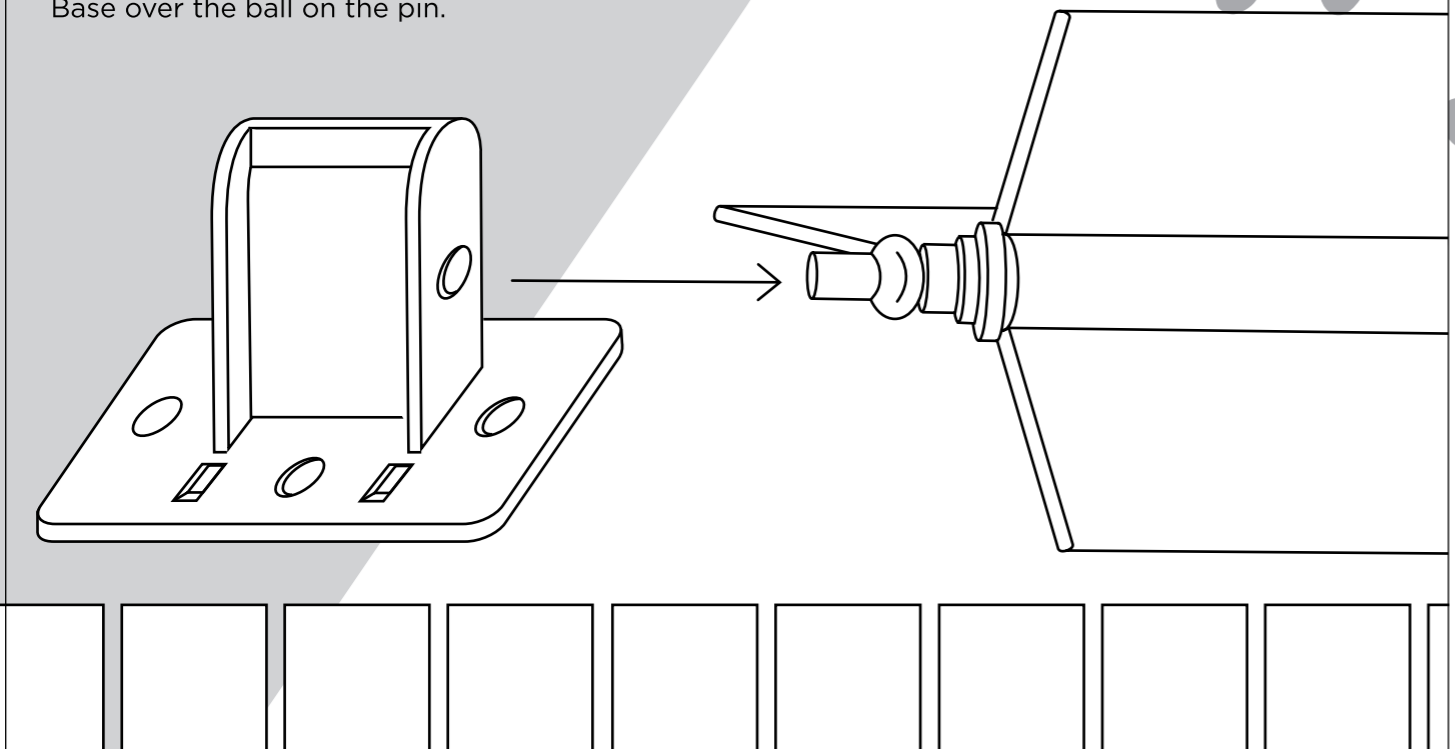
STEP 4: Pick up the roller and place the thin end, with the ball attached into the Plastic Bracket Base.



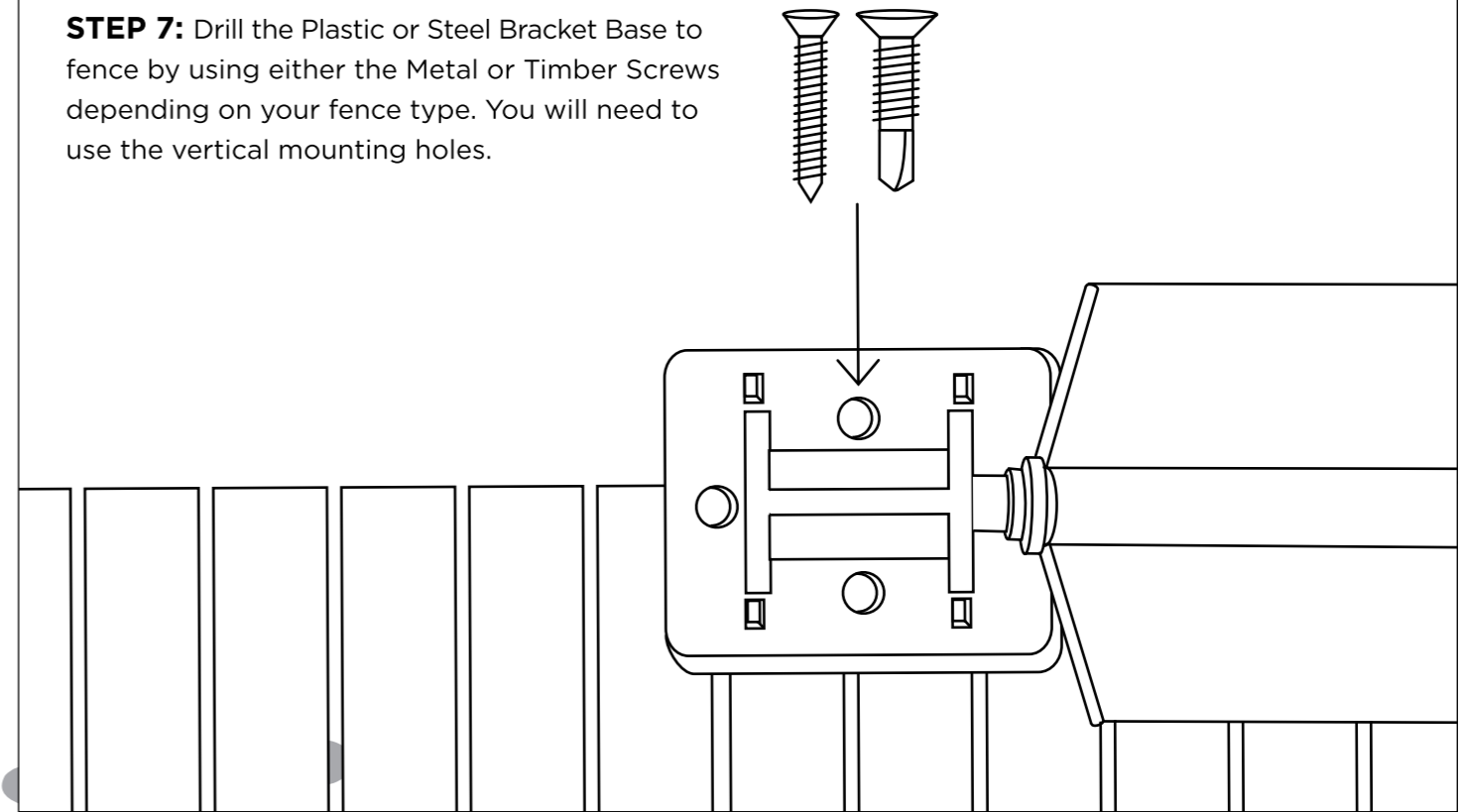
STEP 5: Continue to hold roller and walk down to the other end of the roller.



STEP 6: Connect a ball to the thin end of the pin and then slide the Plastic Bracket Base over the ball on the pin.



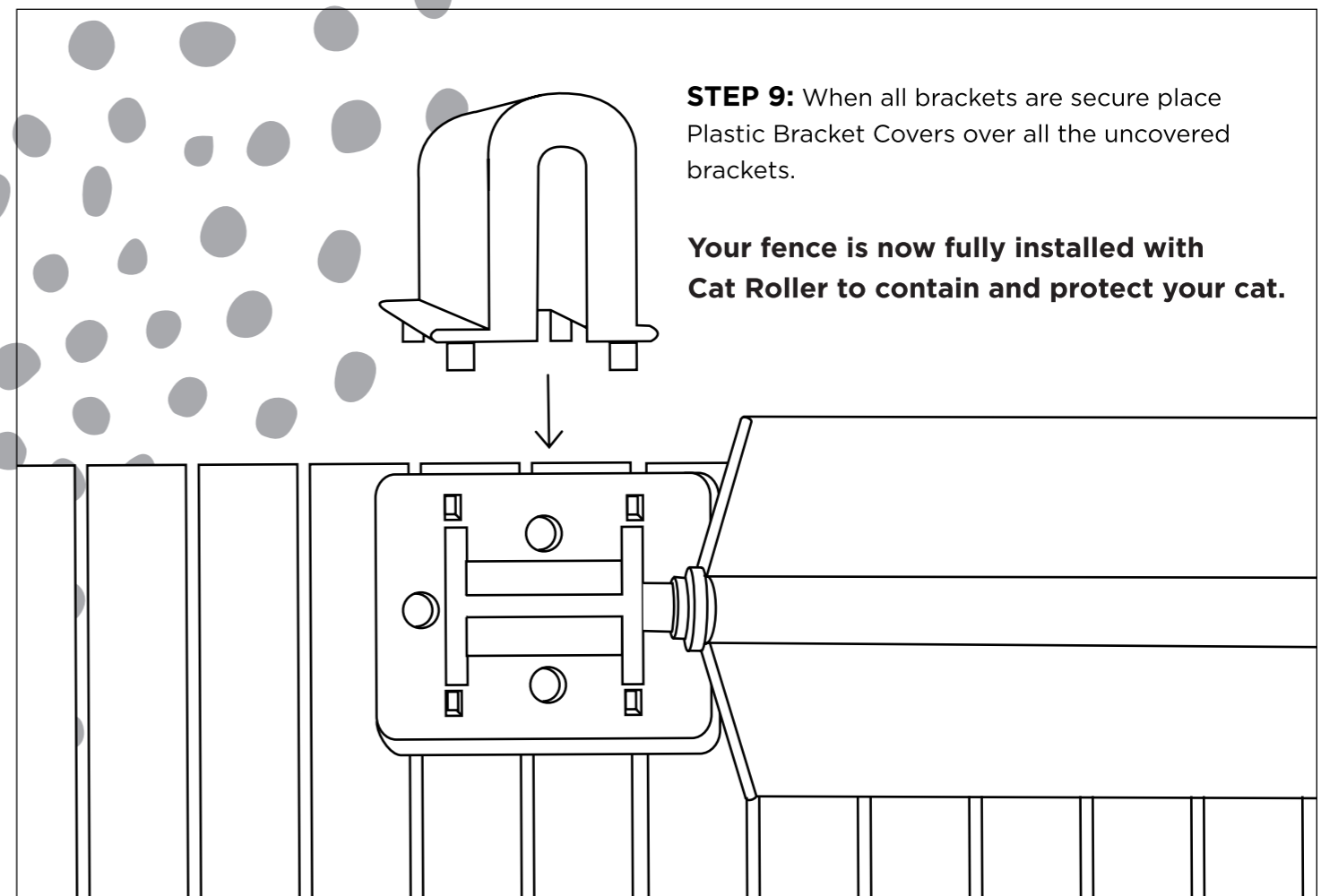
STEP 7: Drill the Plastic or Steel Bracket Base to fence by using either the Metal or Timber Screws depending on your fence type. You will need to use the vertical mounting holes.



STEP 8: Repeat steps 2-7 until a continuous barrier is created around the fence line.

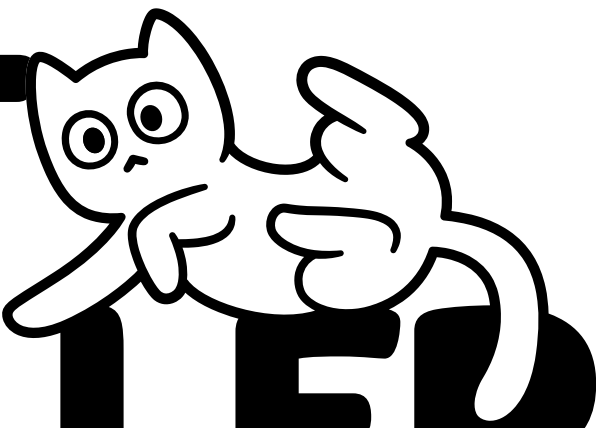
STEP 9: When all brackets are secure place Plastic Bracket Covers over all the uncovered brackets.

Your fence is now fully installed with Cat Roller to contain and protect your cat.

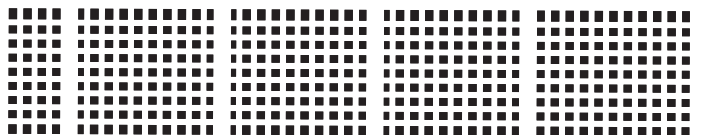




CAT ROLLER



DESIGNED AND MANUFACTURED BY
RAPID HARDWARE GROUP
222 HAMMOND ROAD
DANDENONG SOUTH
VIC 3175 AUSTRALIA
WWW.CATROLLERS.COM



RAPIDMESH™